



NO.	DESCRIPTION	PART NO.	SPEED	
			ONE	TWO
1	Shift Shaft RH - Universal	XA-V-06625-A	-	1
	- I-Beam	XA-V-06625-C	-	1
	- Extended I-Beam	XA-V-06625-F	-	1
	- Conventional	XA-V-06625-C	-	1
	- Reverse	XA-V-06625-B	-	1
2	Jack Shaft RH - Universal	XA-V-06624-A	-	1
	- I-Beam	XA-V-06624-D	-	1
	- Extended I-Beam	XA-V-06624-F	-	1
	- Conventional & Reverse	XA-V-06624-C	-	1
3	Gearbox Cover Assembly	XA-V-06618	-	1
4	Thread Rolling Screw	XB-06372	2	8
5	Gearbox Gasket	XB-V-06621	-	1
6	Idler Gear	XA-V-06602	-	1
7	Idler Gear Shaft	XA-V-07085	-	1
8	Ball	XB-BAL-023-01	-	1
9	Spring	XB-SPG-020-02	-	1
10	Input Gear - Low	XA-V-06604-1	-	1
11	Pin - .25" x 1.44"	XA-CRP-V-06633	-	1
12	Spring Pin - .22" x 1.50"	XB-21-S-218-1500	-	1
13	Input Gear - High	XA-V-06606	-	1
14	Output Gear	XA-V-06603	-	1
15	Pin - .38" x 1.5"	XA-CRP-V-06634	-	1
17	HHCS - .38"-16 x 2.00"	XB-V-444-4	1	1
18	Lock Nut - .38"-16	XB-338	1	1
19	Jack Shaft LH - Universal	XA-V-06623-A	1	-
	- I-Beam	XA-V-06623-D	1	-
	- Extended I-Beam	XA-V-06623-F	1	-
	- Conventional	XA-V-06623-C	1	-
	- Reverse	XA-V-06623-B	1	-
20	Upper Leg Cover	XA-V-06611	1	1
21	Gasket	XB-V-07054	1	1
22	Groove Pin .38" x 1.50"	XB-GP-38-1-12-E	1	1
23	Pinion Gear	XA-V-06600	1	1
25	Bevel Gear	XA-V-06601	1	1
26A	Inner Leg & Screw Assy. - Axle	SEE PAGE 1-56	1	1
	- AXLGHD	SEE PAGE 1-56	1	1
26B	Inner Leg & Screw Assy. - Self-Leveling	SEE PAGE 1-56	1	1
	- Self-Leveling HD	SEE PAGE 1-56	1	1
26C	Inner Leg & Screw Assy. - RCF	SEE PAGE 1-56	1	1
	- RCF HD	SEE PAGE 1-56	1	1
26D	Inner Leg & Screw Assy. - Shock Foot	SEE PAGE 1-56	1	1
	- Shock Foot HD	SEE PAGE 1-56	1	1
27	Pin - .38" x 2"	XA-CRP-V-06635	1	1
28	Washer	XB-V-06632	1	1
29	Bushing	XB-V-06630	1	1
30	Thrust Bearing	XB-V-647	1	1
30	Thrust Bearing - Heavy Duty	XB-V-647-1	1	1
31	Collar	XA-V-06629	1	1
32A	Upper Leg - 1-Speed	NA	1	-
	- 1-Speed Heavy Duty (Not Shown)	NA	1	-
32B	Upper Leg - 2-Speed	NA	-	1
	- 2-Speed Heavy Duty (Not Shown)	NA	-	1
34	Skid Foot - 4.5" x 12" x 11.5"	LG0050	1	1
	- 2.0" x 12" x 11.5"	LG0051	1	1
	- 3.8" x 10" x 11.5"	XA-V-796-WS	1	1
	- 2.0" x 10" x 11.5"	LG0056	1	1
	- 4" x 12" x 16"	XA-HV-796	1	1

NO.	DESCRIPTION	PART NO.	SPEED	
			ONE	TWO
35	Standard Axle	XA-V-1901-1	1	1
	Solid Axle	XA-V-1903-1	1	1
36	Rollpin - .38" x 3"	XB-21-S-375-3000	2	2
38	Brace Lug	XA-V-1938	1	1
39	Bearing	XB-LG0559	2	1
40	Retainer	XB-LG1570	2	1
41	Lube Fitting	XB-767	1	2
42	Plastic Plug - Models before Feb. 2007	XB-01789	1	1
43	Lube Fitting w/Extension	XB-767-L	1	1
47	Crankshaft Bracket (Optional)	XA-V-971	-	1
48	Crank Hanger (Optional)	XB-V-1915	-	1
	Crank Hanger (Optional)	XB-LG0085	-	1
49	Extension Shaft - Long (Optional) - 15.44"	XA-V-1916	-	1
	- Short (Optional) - 8.94"	XA-V-1916-1	-	1
50	Crankshaft Coupling (Optional)	XA-V-630-2	-	1
51	Drive Gear Shaft Kit - 1-Speed	RK-V-07781	-	1
52	Drive Gear Shaft Kit - 2-Speed	RK-V-07780	-	1
53	Groove Pin - .38" x 1.38" (Optional)	XB-GP-38-138-5	-	2
54	Locknut - .25"-28 (Optional)	XB-3103	-	3
55	HHCS - .25"-28 x 3" (Optional)	XB-07618	-	3
56	Extension Bracket - Long - 15.56"	XA-V-07601-1	-	1
	- Short - 9.06"	XA-V-07601-2	-	1
57	Extension Bracket & Shaft Kit - Long - 15.56"	RK-V-07602-1	-	1
	- Short - 9.06"	RK-V-07602-2	-	1
58	Extension Bracket & Shaft Kit - Long - 15.44"	RK-V-1997-1	-	1
	- short - 8.94"	RK-V-1997-2	-	1
59	Cushion Foot Plate	LG1829	1	1
60	Rubber Cushion	XB-LG0713	1	1
61	Removable Cushion Foot	XA-V-796-RCF	1	1
62	Hex Head Screw - .63"-11 x 6" - GR2	XB-HHC-050-114	1	1
63	Top Lock Nut - .63"-11 - GR.C	XB-06179-2	1	1
64	Bevel & Pinion Gear Repair Kit	RK-11286	1	1
65	Gear Box Repair Kit	RK-11287	-	1
66	Black Armour™ Touchup Kit (not shown)	RK-10919	1	1

For technical assistance please go to www.safholland.us or call 800.876.3929

Standard Duty Retract Tube Assemblies

NO.	DESCRIPTION	TRAVEL			
		9.9"	10.3"	12.5"	13.5"
26A	Retract Tube Assy - Axle	XA-V-06628-000-0	N/A	N/A	XA-V-06628-101-0
26B	Retract Tube Assy- Self Leveling	N/A	N/A	XA-V-06628-010-1	XA-V-06628-111-1
26C	Retract Tube Assy - RCF	N/A	XA-V-06628-020-2	N/A	XA-V-06628-121-2
26D	Retract Tube Assy - Shockfoot	N/A	N/A	XA-V-06628-010-5	XA-V-06628-111-5

Standard Duty Retract Tube Assemblies cont.

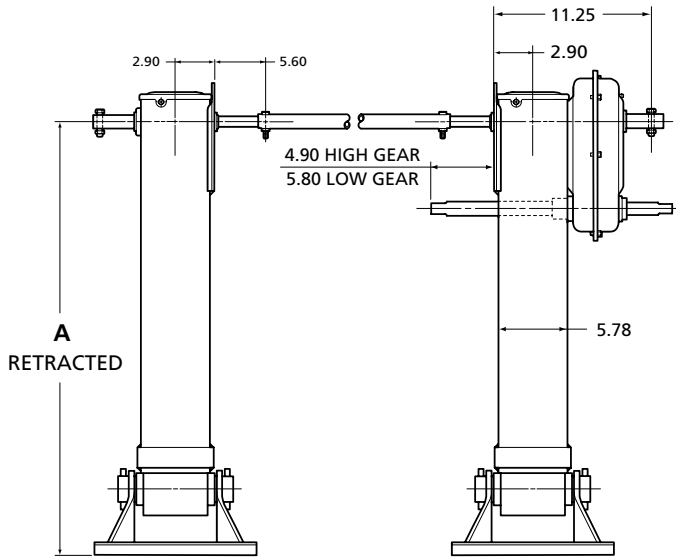
NO.	DESCRIPTION	TRAVEL			
		15.0"	16.5"	17.6"	18.7"
26A	Retract Tube Assy - Axle	XA-V-06628-202-0	XA-V-06628-303-0	XA-V-06628-404-0	XA-V-06628-505-0
26B	Retract Tube Assy- Self Leveling	XA-V-06628-212-1	XA-V-06628-313-1	XA-V-06628-414-1	XA-V-06628-515-1
26C	Retract Tube Assy - RCF	XA-V-06628-222-2	XA-V-06628-323-2	XA-V-06628-413-2	XA-V-06628-514-2
26D	Retract Tube Assy - Shockfoot	XA-V-06628-212-5	XA-V-06628-313-5	XA-V-06628-414-5	XA-V-06628-515-5

Heavy Duty Retract Tube Assemblies

NO.	DESCRIPTION	TRAVEL			
		9.9"	10.3"	12.5"	13.5"
26A	Retract Tube Assy - Axle	XA-H-06628-000-0	N/A	N/A	XA-H-06628-101-0
26B	Retract Tube Assy- Self Leveling	N/A	N/A	XA-H-06628-010-1	XA-H-06628-111-1
26C	Retract Tube Assy - RCF	N/A	XA-H-06628-020-2	N/A	XA-H-06628-121-2
26D	Retract Tube Assy - Shockfoot	N/A	N/A	XA-H-06628-010-5	XA-H-06628-111-5

Heavy Duty Retract Tube Assemblies cont.

NO.	DESCRIPTION	TRAVEL			
		15.0"	16.5"	17.6"	18.7"
26A	Retract Tube Assy - Axle	XA-H-06628-202-0	XA-H-06628-303-0	XA-H-06628-404-0	XA-H-06628-505-0
26B	Retract Tube Assy- Self Leveling	XA-H-06628-212-1	XA-H-06628-313-1	XA-H-06628-414-1	XA-H-06628-515-1
26C	Retract Tube Assy - RCF	XA-H-06628-222-2	XA-H-06628-323-2	XA-H-06628-413-2	XA-H-06628-514-2
26D	Retract Tube Assy - Shockfoot	XA-H-06628-212-5	XA-H-06628-313-5	XA-H-06628-414-5	XA-H-06628-515-5



Self Leveling

TRAVEL	"A"	"B"
12.5"	37.0"	23.9
13.5"	41.3"	24.8
15.0"	44.3"	26.3
16.5"	47.3"	27.8
17.6"	49.5"	28.9
18.7"	51.8"	30.0

Std. Skid

TRAVEL	"A"	"B"
9.9"	37.9"	23.9
13.5"	42.2"	24.8
15.0"	45.2"	26.3
16.5"	48.2"	27.8
17.6"	50.5"	28.9
18.7"	52.7"	30.0

Low Profile

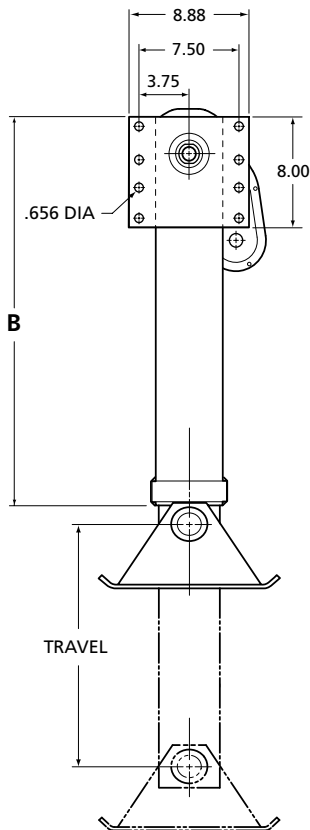
TRAVEL	"A"	"B"
9.9"	35.4"	23.9
13.5"	39.7"	24.8
15.0"	42.8"	26.3
16.5"	45.7"	27.8
17.6"	48.0"	28.9
18.7"	50.5"	30.0

Wt. Saver Skid

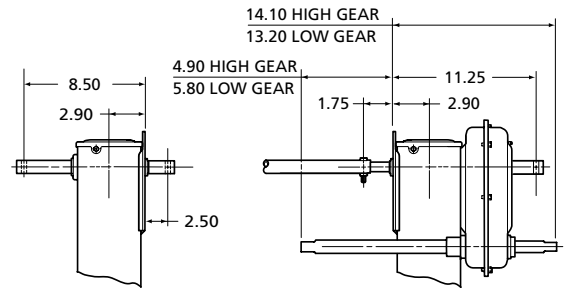
TRAVEL	"A"	"B"
9.9"	36.7"	23.9
13.5"	41.5"	24.8
15.0"	44.5"	26.3
16.5"	47.5"	27.8
17.6"	49.7"	28.9
18.7"	52.0"	30.0

RCF

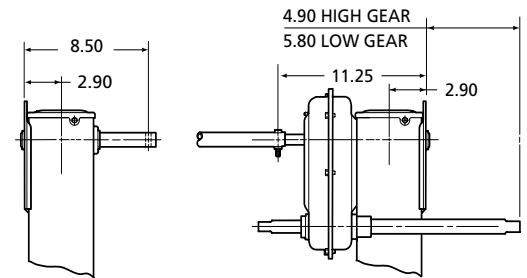
TRAVEL	"A"	"B"
10.3"	36.8"	23.9
13.5"	41.1"	24.8
15.0"	44.1"	26.3
16.5"	47.1"	27.8
17.6"	49.3"	28.9
18.7"	51.5"	30.0



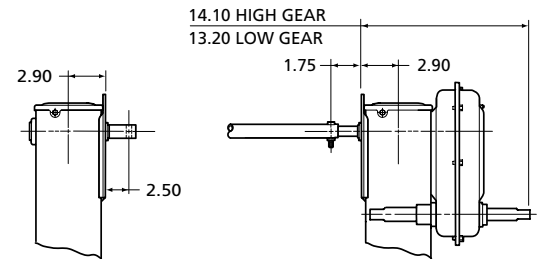
'A' Universal Mounting



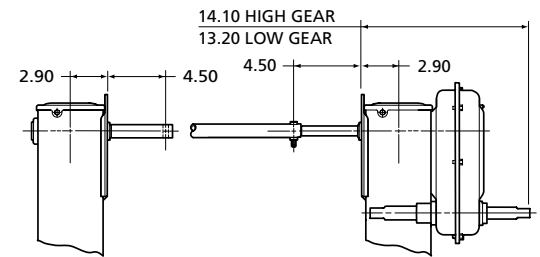
'B' Inboard Mounting



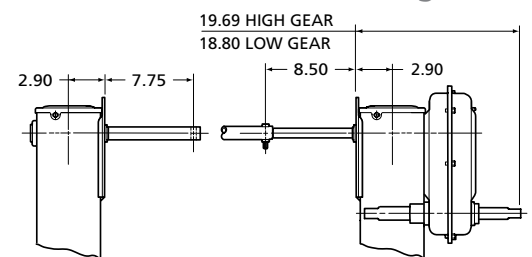
'C' Outboard Mounting



'D' I-Beam Mounting

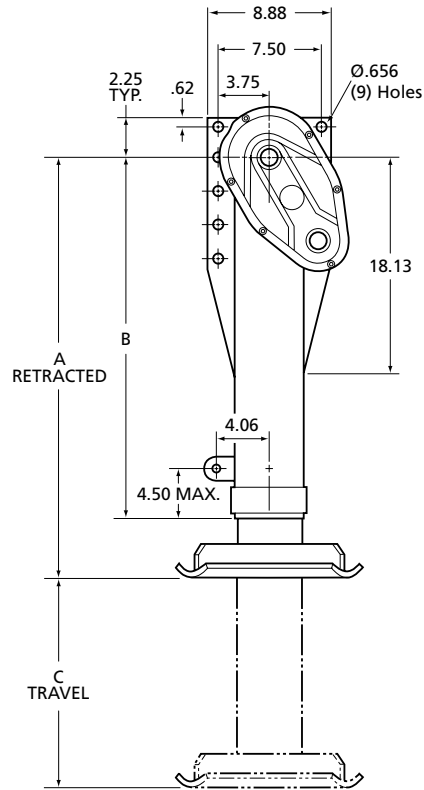


'F' Extended I-Beam Mounting



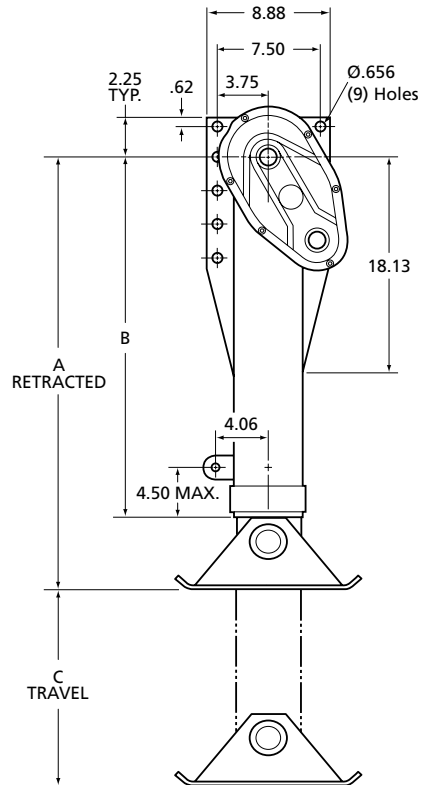
HD Self-Leveling Foot

MODEL	"A"	"B"	"C"
LGH-1A012	27.9"	24.5"	13.5"
LGH-2A012	29.4"	26.0"	15.0"
LGH-3A012	30.9"	27.1"	16.5"
LGH-4A012	32.0"	28.2"	17.6"
LGH-5A012	33.2"	29.6"	18.7"



HD 12" x 17" Skid Foot

MODEL	"A"	"B"	"C"
LGH-1A312	29.7"	24.5"	12.0"
LGH-2A312	31.2"	26.0"	13.5"
LGH-3A312	32.3"	27.1"	15.4"
LGH-4A312	33.4"	28.2"	16.6"
LGH-5A312	34.8"	29.6"	17.4"



CRANK S/A			
NO.	DESCRIPTION	NO.	DESCRIPTION
0	XA-V-90-0	8	XA-V-90-8
1	XA-V-90-1	9	XA-V-90-10
2	XA-V-90-2	A	XA-V-90-11
3	XA-V-90-3	B	XA-V-90-12
4	XA-V-90-4	C	XA-V-90-146
5	XA-V-90-5	H	XA-50208
6	XA-V-90-6	Q	XA-V-90-13
7	XA-V-90-7	X	Delete

ACCESSORIES	
NO.	DESCRIPTION
0	Crank Holder & Brace Ears
1	Brace Ears Only
2	Crank Holder Only
X	Neither

GREASE / FITTINGS		
NO.	GREASE	FITTINGS
0	Standard	Standard
1	Low Temp	Standard
2	Standard	65°
3	Low Temp	65°
4	Standard	90°
5	Low Temp	90°
6	5 Yr. Warranty - No Maint.	
7	10 Yr. Warranty - No Maint.	

CROSS SHAFT LENGTH	
NO.	DESCRIPTION
0	Std. Length
# # 0	## + .00"
# # 5	## + .50"
X	None

CAPACITY	
NO.	DESCRIPTION
S	Standard
H	Heavy Duty

SET

LG X

X X X XXX

INDIV. LEG

XA - X X

X X X XX

X

CAPACITY	
NO.	DESCRIPTION
S	Standard
H	Heavy Duty

LEG SPEED	
NO.	DESCRIPTION
8	Two-Speed
9	Single-Speed

GREASE / FITTINGS		
NO.	GREASE	FITTINGS
0	Standard	Standard
1	Low Temp	Standard
2	Standard	65°
3	Low Temp	65°
4	Standard	90°
5	Low Temp	90°
6	5 Yr. Warranty - No Maint.	
7	10 Yr. Warranty - No Maint.	

TRAVEL	
NO.	DISTANCE
0	12.5" *
1	13.5"
2	15.0"
3	16.5"
4	17.6"
5	18.7"
Z	Special

MOUNTING	
NO.	DESCRIPTION
A	Universal
B	Inside
C	Outside
D	I-Beam
F	Extended I-Beam
Z	Special

AXLE TYPE	
NO.	TYPE
0	No Axle
1	Standard
3	Solid Axle
Z	Special

FOOT TYPE					
NO.	FOOT TYPE	DESCRIPTION	NO.	FOOT TYPE	DESCRIPTION
01	Self-Leveling	DIA 12"	10	No Footware	---
02	Shock-Foot	DIA 10"	12	HD Self-Leveling	14" x 14"
03	Wheels	DIA 9"	13	Low Profile SF	2.0" x 12" x 11.5"
05	STD Skid Foot	4.5" x 12" x 11.5"	14	Cushion Foot	2.4" x 10" x 11.5"
06	Skid Foot	5.0" x 12" x 17"	15	Wt. Saver SF	3.8" x 10" x 11.5"
07	Skid Foot	5.0" x 12" x 23"	23	Low Pro. Wt. Svr.	2.0" x 10" x 11.5"
08	Big Skid Foot	5.0" x 14" x 19"	24	R.C.F.	2.9" x 11.4" x 11.4"
09	Wheels & SF	3.8" x 16" x 11.5"	ZZ	Special	

* 9.9" on skidfoot models
10.3" on RCF models